



For Gentle Product Flow

LKB-LP Low Pressure Butterfly Valve

Application

LKB Low Pressure is a sanitary manually operated butterfly valve for use in stainless steel pipe systems.

Working principle

LKB Low Pressure is operated by means of a handle. The handle mechanically locks the valve in its open or closed position. A disc closes against a rubber seal when the handle is at right angle to the pipeline. When the handle is turned 90° the disc is parallel to the product flow and the valve is fully open.

Standard design

The valve consists of two valve body halves, valve disc, bushes for the stem and seal ring. The valve is assembled by means of screws and nuts.

The handle is fitted onto the valve by means of a cap/block system and screw.

Materials

Valve body:Stainless steel 1.4301 (304).
Disc:Stainless steel 1.4301 (304).
Handle:Stainless steel 1.4301 (304).
Seal:EPDM.
Finish:Semi bright.

Size

DN/OD 25 mm (1")	DN 25
DN/OD 38 mm (1½")	DN 40
DN/OD 51 mm (2")	DN 50
DN/OD 63.5 mm (2½")	DN 65
DN/OD 76.1 mm (3")	DN 80
DN/OD 101.6 mm (4")	DN 100

Technical Data

Valve:

Max. product pressure:500 kPa (5 bar).
Min. product pressure:Full vacuum.
Temperature range:-10°C to +95°C.

Materials

Valve:

Finish:Semi-bright.
Steel parts:1.4301 (304).
Seal:EPDM
Bushes for valve disc:PVDF.



LKB Low Pressure Butterfly valve

Connections

LKB Low Pressure is available with the following connection combinations:

- ISO welding end - ISO welding end.
- DIN welding end - DIN welding end.
- ISO clamp end - ISO clamp end.

NOTE! Actuator not available.

Dimensions (mm) - Valve (900246/1)

Size	25	38	51	63.5	76.1	101.6	DN	DN	DN	DN	DN	DN
	mm	mm	mm	mm	mm	mm	25	40	50	65	80	100
A	78.0	78.0	99.0	117.0	132.0	169.0	79.2	86.5	105.7	125.0	143.0	169.0
B ₁	47.0	47.0	52.0	54.0	62.0	80.0	47.0	47.0	52.0	62.0	64.0	80.0
B ₂	90.0	90.0	95.0	97.0	105.0	123.0	-	-	-	-	-	-
OD	25.6	38.6	51.6	64.1	76.6	102.2	30.0	42.0	54.0	70.0	85.0	104.0
ID	22.5	35.5	48.5	60.5	72.0	97.6	26.0	38.0	50.0	66.0	81.0	100.0
t	1.55	1.55	1.55	1.8	2.3	2.3	2.0	2.0	2.0	2.0	2.0	2.0
C ₁	89.0	89.0	99.0	109.0	116.0	135.0	89.0	93.0	103.0	113.0	122.0	135.0
C ₂	91.0	91.0	101.5	110.5	118.0	136.5						
D ₁	120.0	120.0	120.0	162.0	162.0	162.0	120.0	120.0	120.0	162.0	162.0	162.0
D ₂	150.0	150.0	150.0	150.0	200.0	200.0						
Weight (kg)	1,1	1,0	1,5	2,1	2,8	4,8	1,1	1,0	1,5	2,1	2,8	4,8

NOTE! Weights are for valves with welding ends and handles.

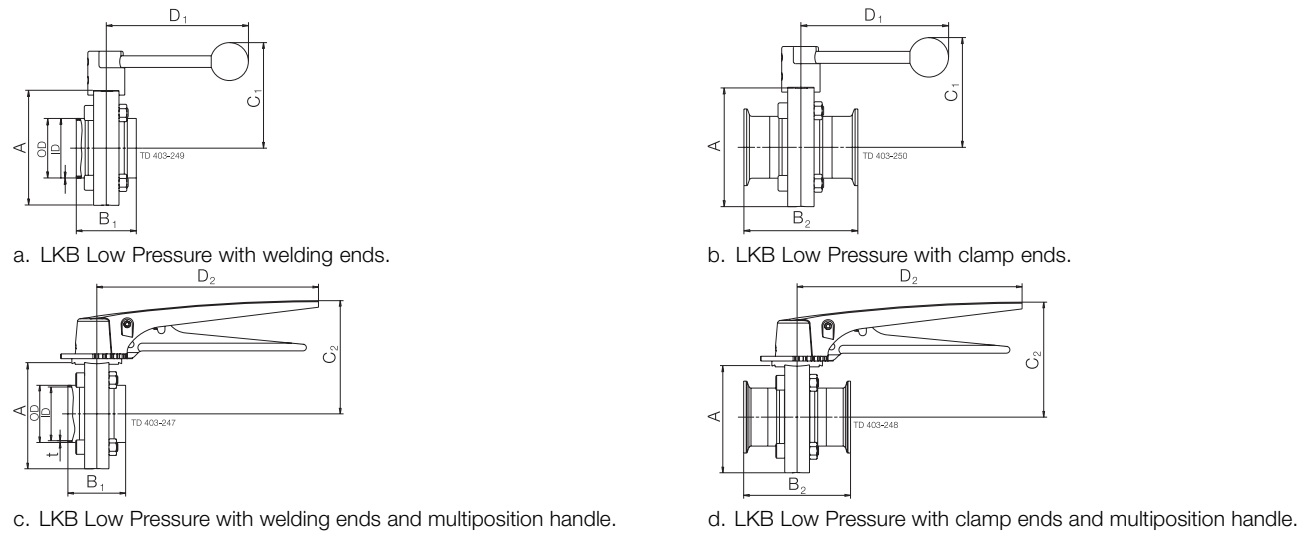
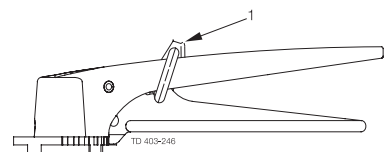


Fig. 1. Dimensions - valve.

Options

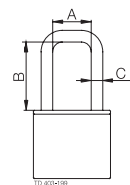
- Multipositioning handle*

* A padlock can be mounted on the Lockable Multiposition Handle as shown on the drawings. **NOTE!** Padlock is not delivered.



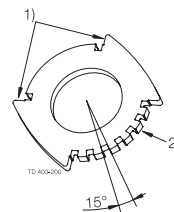
Lockable Multiposition Handle with padlock.

1. Padlock



Dimensions - padlock.

- A. Min. 20 mm
- B. Min. 35 mm
- C. ø6 mm



Positioning cap.

- 1. On/Off
- 2. Multi positioning

ESE00287EN 1001

The information contained herein is correct at the time of issue,
but may be subject to change without prior notice.

How to contact Alfa Laval

Contact details for all countries
are continually updated on our website.
Please visit www.alfalaval.com to
access the information direct.

Gillain & Co NV | Boomsesteenweg 85, B-2630 Aartselaar | Tel. +32 3 870 60 80, Fax +32 3 870 60 89 | advice@gillain.com | www.gillain.com